

### DIMENSIONS (in.)

SHIELDS	SEALED	SEALED SS	OD	ID	W	VID	VOD	G ± .002
VW-1	VW-1X	VW-1SSX	0.770	0.188	0.310	0.625	0.936	0.050
VW-2	VW-2X	VW-2SSX	1.210	0.375	0.437	1.000	1.437	0.040
VW-3	VW-3X	VW-3SSX	1.800	0.472	0.625	1.500	2.125	0.040
VW-4	VW-4X	VW-4SSX	2.360	0.591	0.750	2.000	2.750	0.040
VW-4XL	VW-4XXL	VW-4XLSSX	2.970	0.866	1.000	2.500	3.500	0.045

### SPECIFICATIONS & OPTIONS

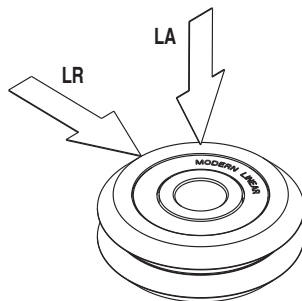
- Ground, double row angular contact ball bearings.
- ABEC-5, pre-lubricated with NLGI #2 grease.
- Working temperature range of guide roller -30° C-100° C.
- Bearings can be modified to extend range.
- All dimensions are industry standard (± .005 inches), unless otherwise specified.

### MATERIALS

ROLLER	STEEL	STAINLESS
Outer	52100	440 SS
Inner	52100	440 SS
Balls	52100	440 SS
Retainers	NYLON66	NYLON66
Grease	NLGI #2	NLGI #2

### GUIDE ROLLER CAPACITY (lbs.)

SIZE	LR	LA	MAX RPM	WEIGHT
VW-1	134	57	2400	0.04
VW-2	322	140	1500	0.13
VW-3	691	382	1000	0.43
VW-4	1058	899	750	0.90
VW-4XL	1710	1480	500	1.20



### NOMENCLATURE

GUIDE ROLLER VW - 2 - SS - X  
 Roller Size Sealed Stainless Steel

Working load capacities reflect lubricated roller/track interface.  
 Ratings based on 2 million inches of travel life.